

# Hochdruck-Kreiselpumpe

## High-Pressure Centrifugal Pump

Baugröße 3 HGM

Pump Size 3 HGM

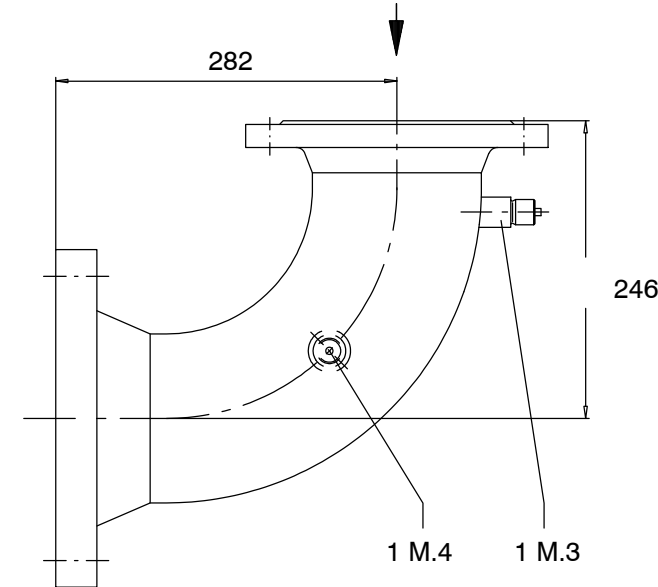
Maße in mm; Änderungen vorbehalten !

Dimensions in mm; subject to change without notification !

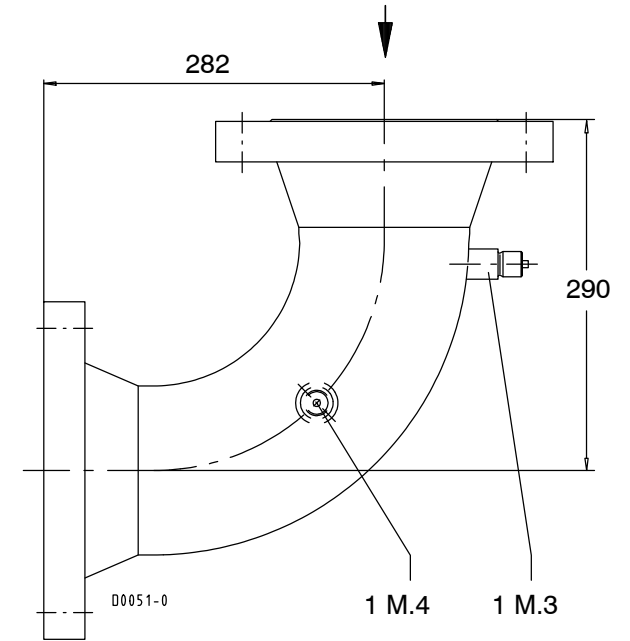
### Zusatzrüstung (Ancillary equipment)

Einlaufkrümmer (Anschlussart 2) (Suction elbow, Type of connection 2)

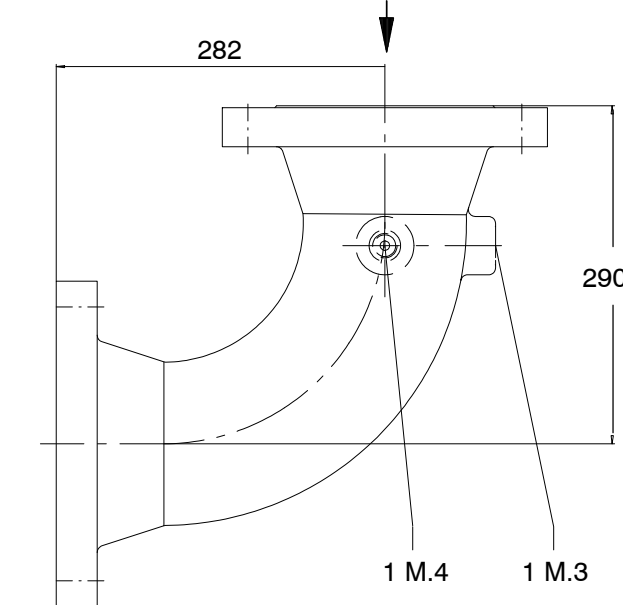
Werkstoffvariante 1-4 (Material variant 1-4)  
EN 1092-1 DN 125 PN 16



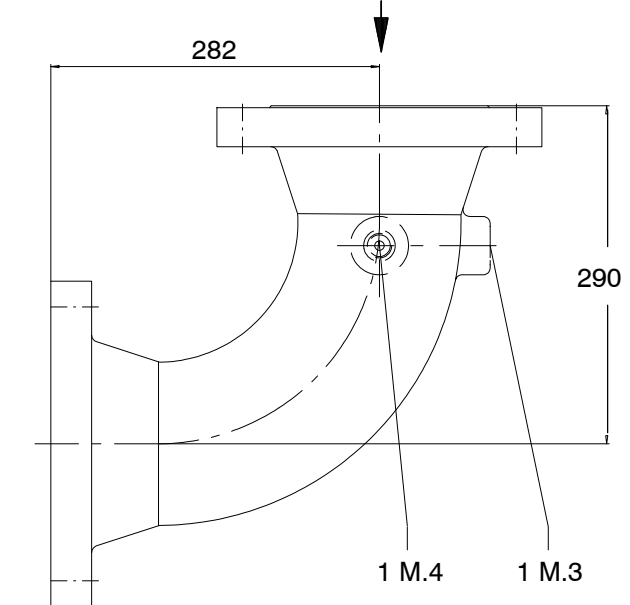
Werkstoffvariante 1-4 (Material variant 1-4)  
ASME DN 5 Class 300



Werkstoffvariante 5-7 (Material variant 5-7)  
EN 1092-1 DN 125 PN 16



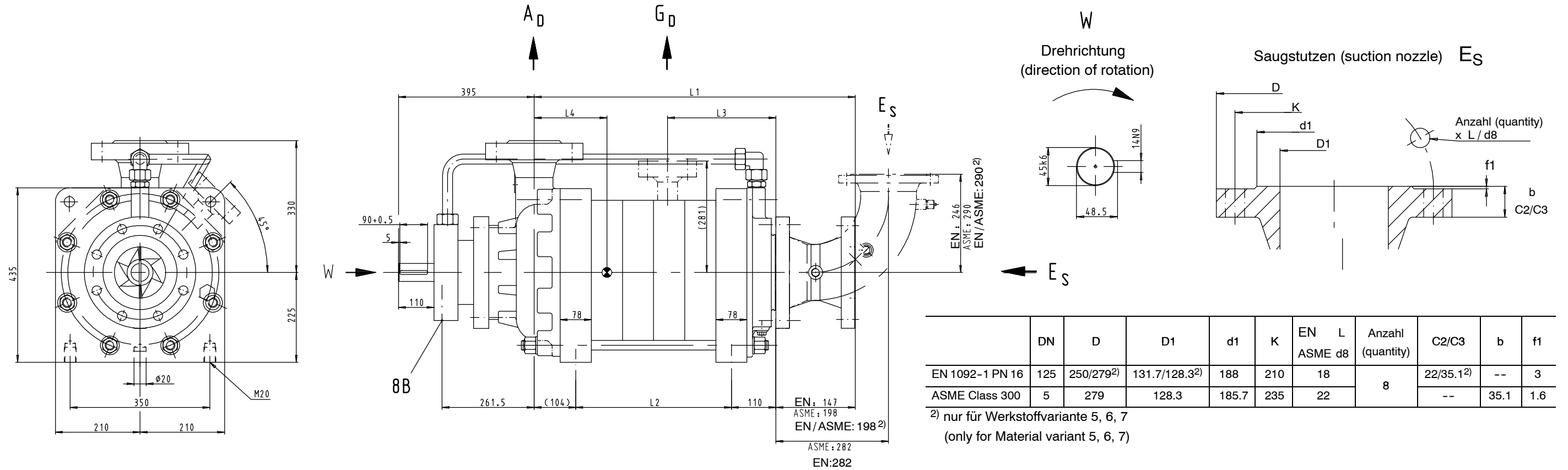
Werkstoffvariante 5-7 (Material variant 5-7)  
ASME DN 5 Class 300



- 1 M.3 Anschluss Druckmessgerät G 1/2 (Pressure gauge connection G 1/2).
- 1 M.4 Anschluss Differenzdruckmessgerät oder Differenzdruckschalter G 1/2.  
Anschluss nur vorhanden bei Differenzdrucküberwachung des Siebes in der Zulaufleitung.  
(Differential pressure gauge or differential pressure switch connection G 1/2.)  
(Connection exists only if differential pressure in the inlet pipe is monitored.)

Technische Änderungen bleiben vorbehalten.  
Subject to technical modifications

18.11.2013  
1852.37/03-90



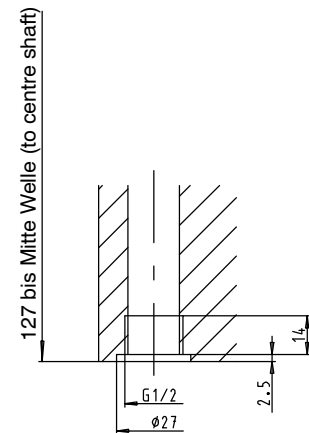
|                 | DN  | D                     | D1                        | d1    | K   | EN L ASME d8 | Anzahl (quantity) | C2/C3                 | b    | f1  |
|-----------------|-----|-----------------------|---------------------------|-------|-----|--------------|-------------------|-----------------------|------|-----|
| EN 1092-1 PN 16 | 125 | 250/279 <sup>2)</sup> | 131.7/128.3 <sup>2)</sup> | 188   | 210 | 18           | 8                 | 22/35.1 <sup>2)</sup> | --   | 3   |
| ASME Class 300  | 5   | 279                   | 128.3                     | 185.7 | 235 | 22           |                   | --                    | 35.1 | 1.6 |

<sup>2)</sup> nur für Werkstoffvariante 5, 6, 7  
(only for Material variant 5, 6, 7)

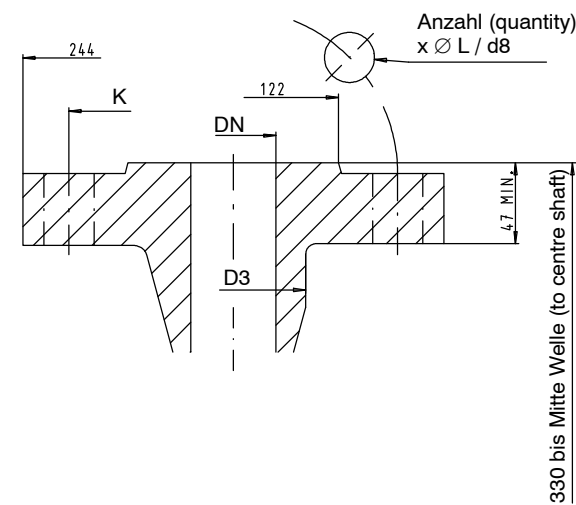
| Stufenzahl (Number of stages)                                     | 3   | 4   | 5   | 6   | 7   | 8   | 9   | 10   | 11   | 12   |
|---|-----|-----|-----|-----|-----|-----|-----|------|------|------|
| 11 EN   | 439 | 517 | 595 | 673 | 751 | 829 | 907 | 985  | 1063 | 1141 |
| 11 ASME   | 490 | 568 | 646 | 724 | 802 | 880 | 958 | 1036 | 1114 | 1192 |
| 12  | 78  | 156 | 234 | 312 | 390 | 468 | 546 | 624  | 702  | 780  |
| 14 Schwerpunkt (Center of gravity)                                | 145 | 195 | 245 | 295 | 345 | 395 | 445 | 495  | 545  | 595  |
| 13 mögliche-Anzapfungen in Stufe (n) (possible-tappings in stage) | 2   | --  | 194 |     |     |     |     |      |      |      |
|   | 3   | --  | 272 |     |     |     |     |      |      |      |
|   | 4   | --  | 350 |     |     |     |     |      |      |      |
|   | 5   | --  | 428 |     |     |     |     |      |      |      |
|   | 6   | --  | 506 |     |     |     |     |      |      |      |
|   | 7   | --  | 584 |     |     |     |     |      |      |      |
|   | 8   | --  | 662 |     |     |     |     |      |      |      |
| 9   | --  | 740 |     |     |     |     |     |      |      |      |
| 10  | --  | --  | --  | --  | --  | --  | --  | --   | --   | 818  |
| 11  | --  | --  | --  | --  | --  | --  | --  | --   | --   | --   |

Alle Maße in mm (all dimensions in mm)

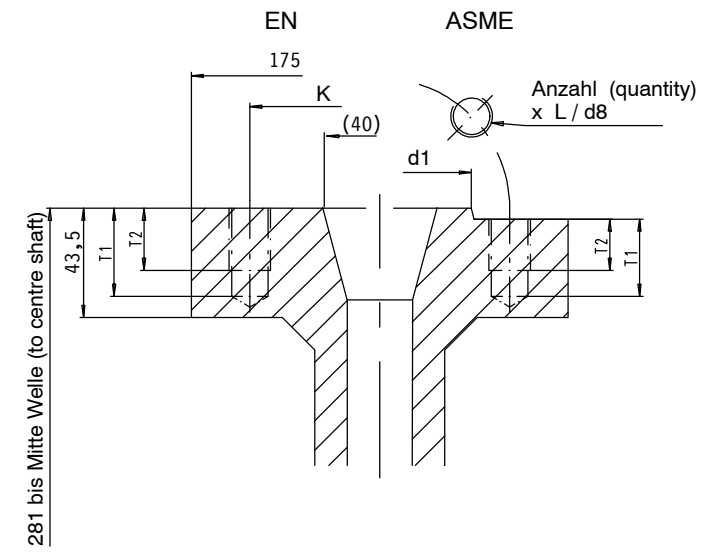
Leckflüssigkeit - Ablass 8 B (leakage liquid - drain)



Druckstutzen AD (discharge nozzle)



Anzapfstutzen GD (tapping nozzle)



|                      | DN    | K     | Anzahl (quantity) | EN L ASME d8 | D3    |
|----------------------|-------|-------|-------------------|--------------|-------|
| EN 1092-1 PN 63      | 65    | 160   | 8                 | 22           | 105   |
| EN 1092-1 PN 63      | 80    | 170   |                   |              | 122   |
| EN 1092-1 PN 100/160 | 65    | 170   |                   |              | 118   |
| EN 1092-1 PN 100/160 | 80    | 180   |                   |              | 128   |
| ASME Class 600       | 2 1/2 | 149.4 | 8                 | 22           | 100.1 |
| ASME Class 600       | 3     | 168.1 |                   |              | 117.4 |
| ASME Class 900       | 3     | 190.5 |                   |              | 127   |
| ASME Class 900 1)    | 2 1/2 | 190.5 |                   |              | 29    |

1) Anschlussmaße Class 1500 (connection dimensions Class 1500)

|                   | DN    | K     | Anzahl (quantity) | EN L ASME d8 | d1 | T1        | T2 |
|-------------------|-------|-------|-------------------|--------------|----|-----------|----|
| EN 1092-1 PN 63   | 40    | 125   | 4                 | M20          | -  | 26        | 20 |
| EN 1092-1 PN 100  |       |       |                   |              | -  |           |    |
| EN 1092-1 PN 160  |       |       |                   |              | -  |           |    |
| ASME Class 600    | 1 1/2 | 114.3 | 4                 | 3/4 - 10 UNC | 73 | 31        | 24 |
| ASME Class 900 1) |       | 124   |                   |              |    | 1 - 8 UNC | 42 |

1) Anschlussmaße Class 1500 (connection dimensions Class 1500)