

► Our technology. Your success.

Pumps • Valves • Service



RUV – Generation 3+ customized Reactor Coolant Pump



Applications:

- Reactor coolant pump for generation 3+ nuclear power stations

More information: www.ksb.com/products

RUV – Generation 3+ customized Reactor Coolant Pump

1 Operational Safety

- Maximum safety due to completely forged pressure boundary
- Hermetically sealed (leakage free, no mechanical seals)
- Perfect rotor dynamic behaviour

2 Integrity under upset conditions

- Motor cooling through thermosyphon effect

3 Flywheel

- High inertia flywheel to address coast down requirements

4 Optimized thermal barrier

- Advanced cooling concept for homogeneous temperature distribution

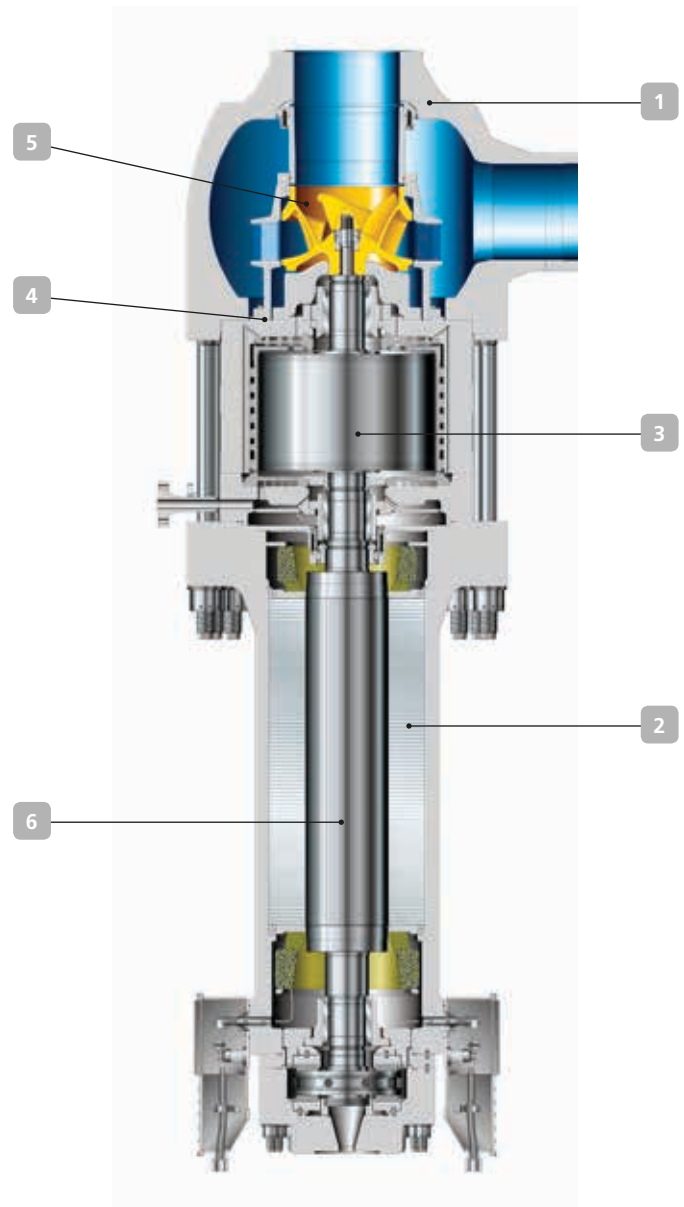
5 Optimized hydraulics

- Well proven design with very high hydraulic efficiency

6 Maximum overall efficiency

- Due to proven wet winding motor technology

7 Maintenance free design



Technical data*

Size	up to DN 650
Pressure	up to 175 bar (17.5 MPa (a))
Temperature	up to 350 °C (662 °F)
Capacity	up to 22,000 m ³ /h (96,866 gpm)
Head	up to 120 m (394 ft)
Speed	up to 1,800 min ⁻¹
Frequency	50 Hz or 60 Hz

*Higher ratings on request



KSB SE & Co. KGaA
Johann-Klein-Straße 9
67227 Frankenthal (Germany)
www.ksb.com