

## HERA<sup>®</sup>-BD – Knife Gate Valve with Bi-directional Seal



HERA<sup>®</sup>-BD with handwheel

### Applications:

For water, waste water  
and solids-laden fluids in:

- Industrial plants and process engineering
- Waste water, sludge or rainwater treatment plants
- Food and beverage industry
- Biogas plants

### More information:

[www.ksb.com/products](http://www.ksb.com/products)



HERA<sup>®</sup>-BD with  
pneumatic actuator



HERA<sup>®</sup>-BD with  
electric actuator



HERA<sup>®</sup>-BD  
with lever

# HERA<sup>®</sup>-BD – Knife Gate Valve with Bi-directional Seal

## Corrosion-resistance

All cast iron and steel components are protected by high-quality epoxy coating.

## 1 Straightforward installation of pneumatic and electric actuators and position switches

This is ensured by a robust and compact steel mounting yoke. A hard anodised aluminium NAMUR adaptor plate attached to the actuator also allows proximity switches or solenoid valves to be quickly installed (plug & run).

## 2 Reliable and service-friendly stem seal

The gland packing is made of PTFE impregnated fibre and can be re-adjusted during operation. When replacing the packing, there is no need to remove the valve from the piping.

## 3 High functional reliability and safe sealing in both flow directions

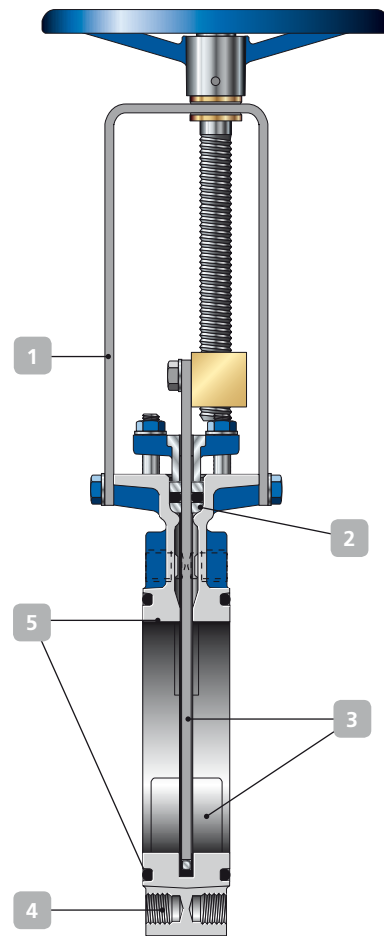
- The stainless steel valve disc is polished on both sides and guided by a confined U-shaped seal along the entire valve travel. This prevents “chattering” of the disc and minimises the risk of deposits.
- Flushing corners in the body ensure the seat is flushed clean when the valve closes.

## 4 Suitable for universal use

Since the flange is connected via threaded pocket holes and throughbolts, the gate valve can be used as wafer-type or dead-end valve at full operating pressure.

## 5 Economical

- The valve is available in a single-piece (up to DN 500) or two-piece body design with full bore providing unrestricted flow passage. The body is completely machined inside, leading to a tight fit of all components, very low pressure losses and high flow rates.
- As a standard feature, O-rings are integrated into the body and serve as flange seals. This helps to save extra costs for providing and fitting external flange seals.



### Technical data

Size	DN 50-1200
Permissible operating pressure	DN 50-250 Up to 10 bar
	DN 300-400 Up to 6 bar
	DN 450 Up to 5 bar
	DN 500-600 Up to 4 bar
	DN 700-1200 Up to 2 bar
Temperature range	-10 °C to +120 °C (EPDM, NBR) -10 °C to +200 °C (Viton)

### Actuator variants and accessories

- Pneumatic actuators
- Electric actuators
- Gearboxes
- Quick-action levers
- Position switches, solenoid valves

### Materials

Body	Grey cast iron
Valve disc	Stainless steel
Stem	Stainless steel
Sealing material	EPDM (Standard), Nitril (NBR), Viton
Epoxy coating	Provides corrosion protection for all steel and cast iron components