

Secochem Ex – Horizontal seal-less volute casing pump in back pull-out design

Industry

Water

Waste Water

Energy

Building Services

Mining

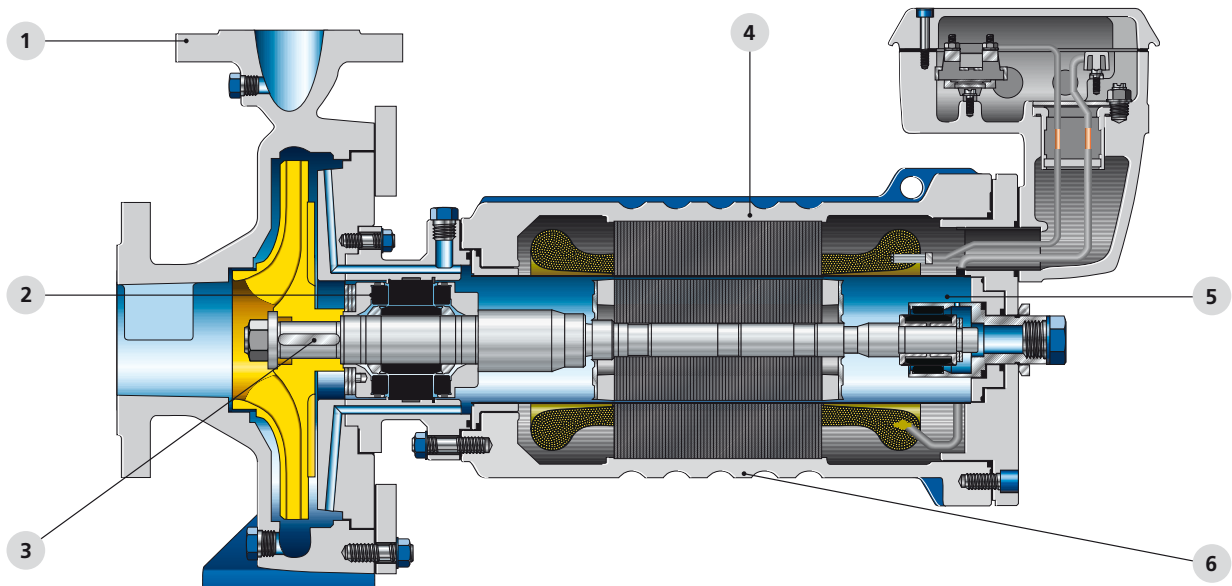
Applications:

- Aggressive, flammable, explosive, toxic, volatile or valuable liquids in the chemical and petrochemical industry, in environmental and industrial engineering
- For applications where low noise emissions, smooth running and long service intervals are required

Further information: www.ksb.com/products



Secochem Ex – Horizontal seal-less volute casing pump in back pull-out design



1 Well-proven

The hydraulic system of our tried and tested CPK standardised chemical pump, combined with a new-generation drive

2 Adaptable

Flexible, temperature-independent SSiC bearings with innovative fastening technology

3 Easy to service

The rotor unit is located outside the potentially explosive atmosphere

4 Future-proof

Motor complies with ATEX 100a requirements

5 Reliable

Direct monitoring of fluid temperature

6 Energy-efficient

Hydraulic system and motor perfectly matched for maximum cost savings

Materials:

EN-JS 1025 (GGG 40.3)

GP240 GH + N (GS-C25N)

Noridur® 1.4593, 1.4408

Technical data:

Max. capacity: 300 m³/h

Max. head: 150 m

Max. fluid temperature: -40 to +130 °C

Max. pump pressure: PN 25

Conversion from CPKN to Secochem Ex

