

## Fields of Application

Lubricoupe units are used to pump oil, cooling lubricants, solvents, degreasing agents, wash water in spray-paint and cooling systems, machine tools and welding machines.

## Shaft Seal

Mechanical seal  
**Lubricoupe S 20-.../S10-... :** BV<sub>2</sub> PGG  
**S 25-... :** BF PGG  
**Lubricoupe T:** none

## Operating Data

	Lubricoupe S	Lubricoupe TO
Q up to	2,2 m <sup>3</sup> /h (36 l/min)	30 m <sup>3</sup> /h (500 l/min)
H up to	50 m	23
H <sub>s</sub> up to	8 m	-
t up to	+60 °C	+60 °C

## Designation

Lubricoupe T O 50 - 22 / 22 2 295

Type series \_\_\_\_\_  
 Pump variant <sup>1)</sup> \_\_\_\_\_  
 Impeller form <sup>2)</sup> \_\_\_\_\_  
 Pump sizes \_\_\_\_\_  
 Shutoff head \_\_\_\_\_  
 Motor rating: kW x 10 \_\_\_\_\_  
 No. of poles \_\_\_\_\_  
 Immersion depth \_\_\_\_\_

- 1) T = submersible pump, S = self-priming pump  
 2) O = open impeller.

## Design/Variants

**Lubricoupe S:** vertical, self-priming, single-stage centrifugal pump with star impeller.

The pump and the surface-cooled, three-phase squirrel cage motor, make KSB, 220-255V / 380-440V, design IM V1, 50/60 Hz, type of protection IP 44, have a common shaft and are flanged to form a close-coupled unit.

**Lubricoupe T:** vertical, single-stage centrifugal pump with open impeller.

The pump and the surface-cooled, three-phase squirrel cage motor, make KSB, 220-240/380-420 V up to 2.2 kW.

## Bearings

**Lubricoupe S:** grease-lubricated deep-groove ball bearings sealed for life.

**Lubricoupe TO:** grease-lubricated deep-groove ball bearings sealed for life.

## Materials

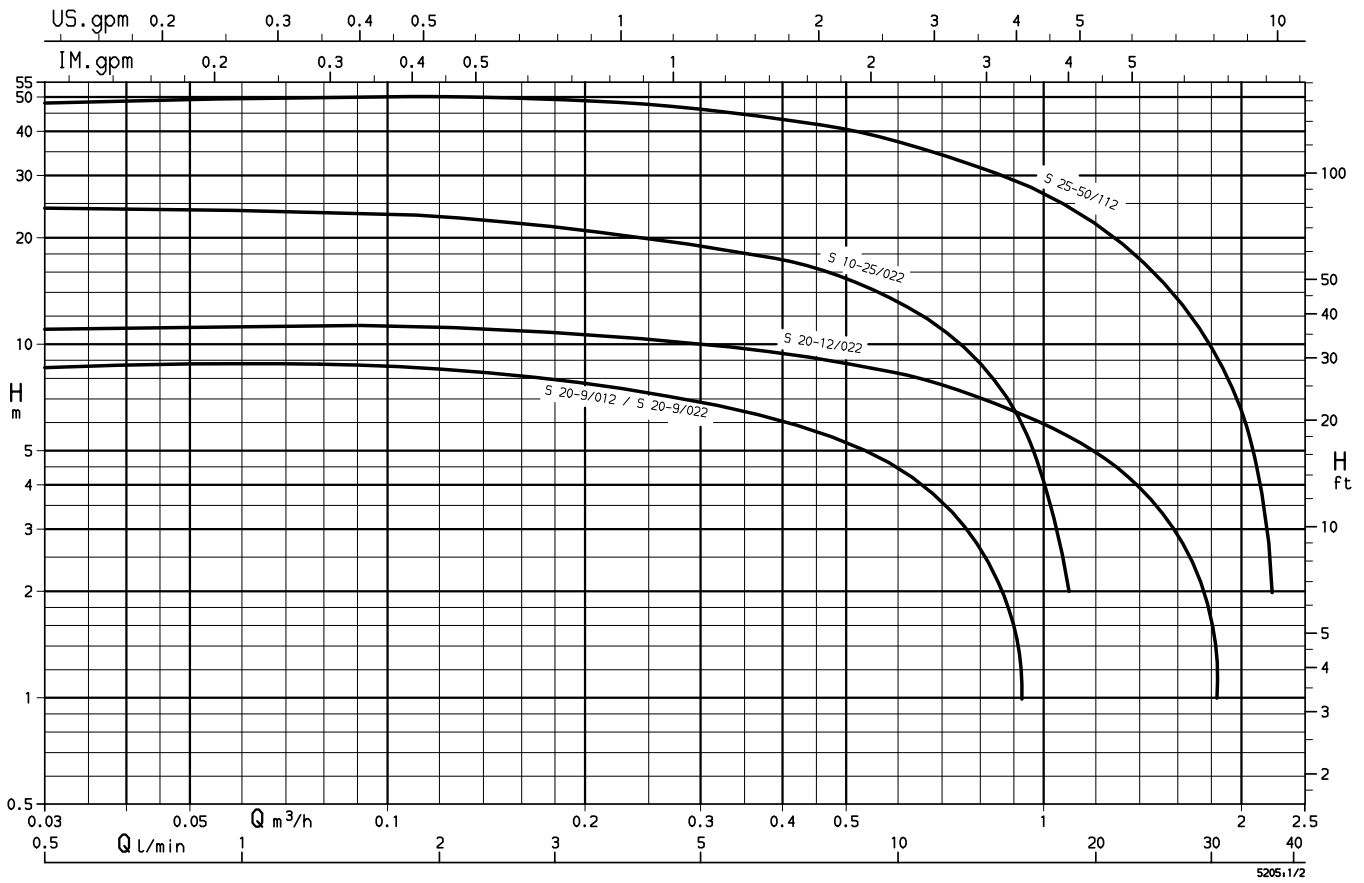
	Self-priming Pump <b>Lubricoupe S</b>	Submersible Pump <b>Lubricoupe TO</b>
Pump casing	Cast iron GG-20	Cast iron GG-20
Volute casing	-	-
Casing cover	Cast iron GG-20	Steel
Impeller	Brass CuZn40Pb2	Nylon <sup>1)</sup>
Shaft	Steel	Steel
Suction strainer	-	Steel
Motor stool	-	-

- 1) TO 32-11, TO 32-15 = Cast iron GG-20; TO 50-22 = bronze  
 2) pump size 40 only, pump size 50 = Cast iron GG-25

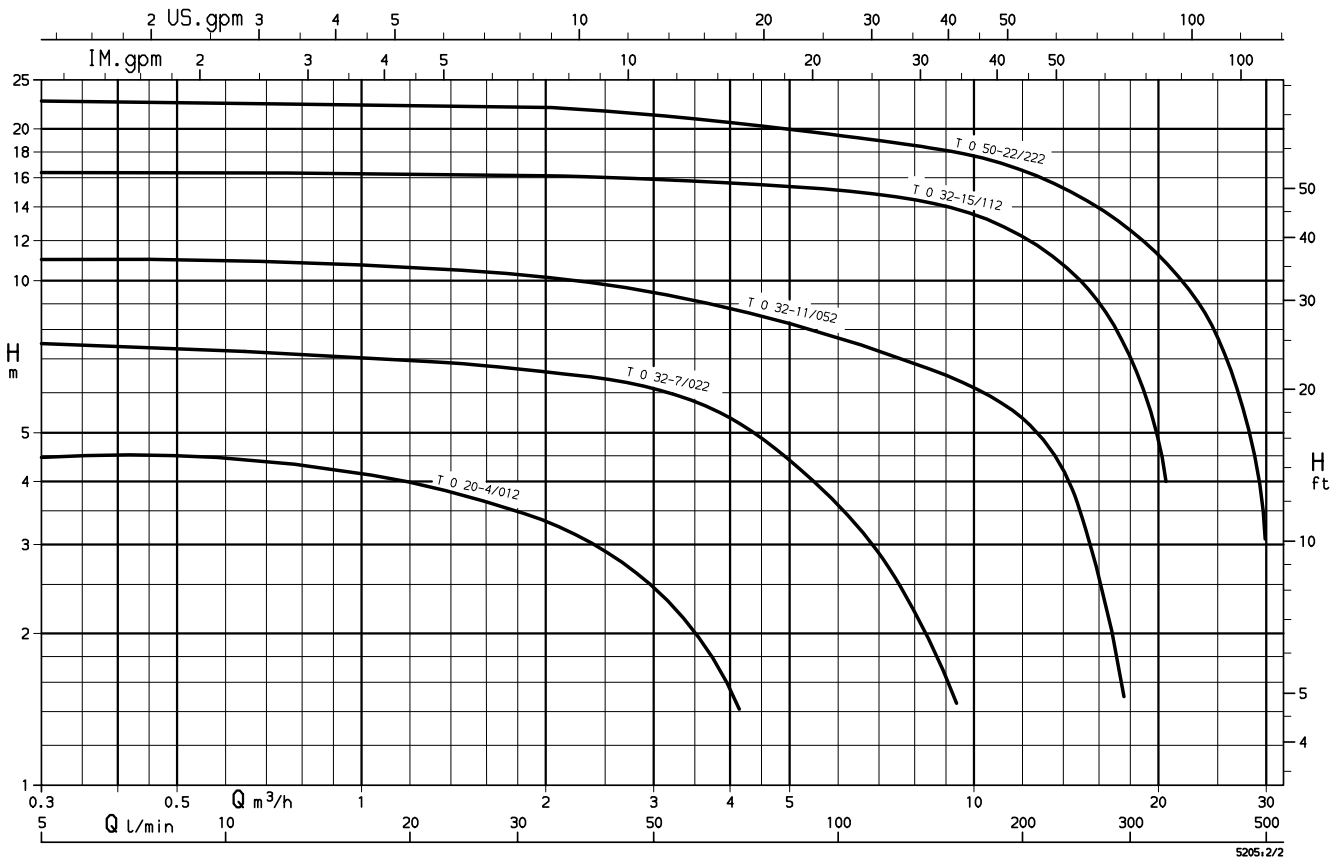
### Selection Charts

n = 2900 1/min

#### Lubricoupe S

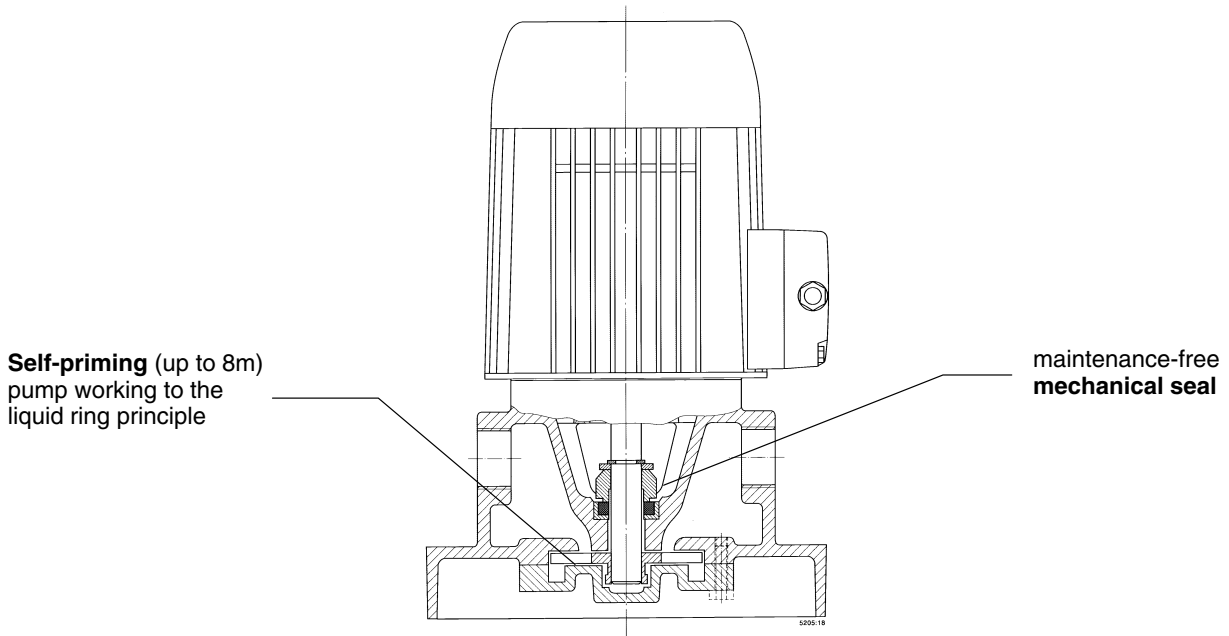


#### Lubricoupe TO

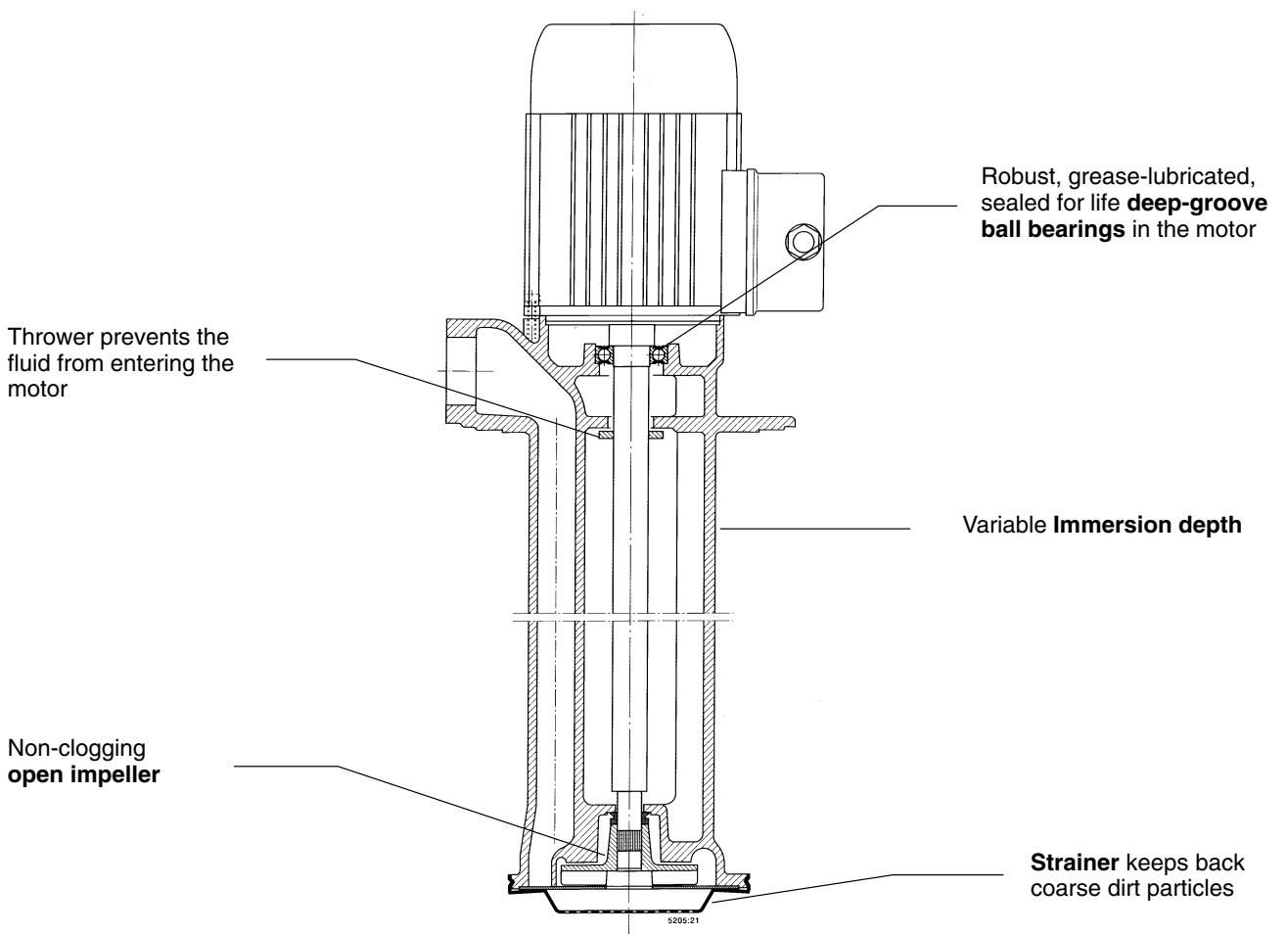


**Benefits at a Glance**

**Lubricoupe S**



**Lubricoupe TO**





KSB S.A.  
10-14, Rue de la Gare – B.P. 12  
F-76250 Déville-lès-Rouen

- Phone : +33 (0)2 32 82 82 00
- Fax : +33 (0)2 32 82 82 90

• <http://www.ksb.com>